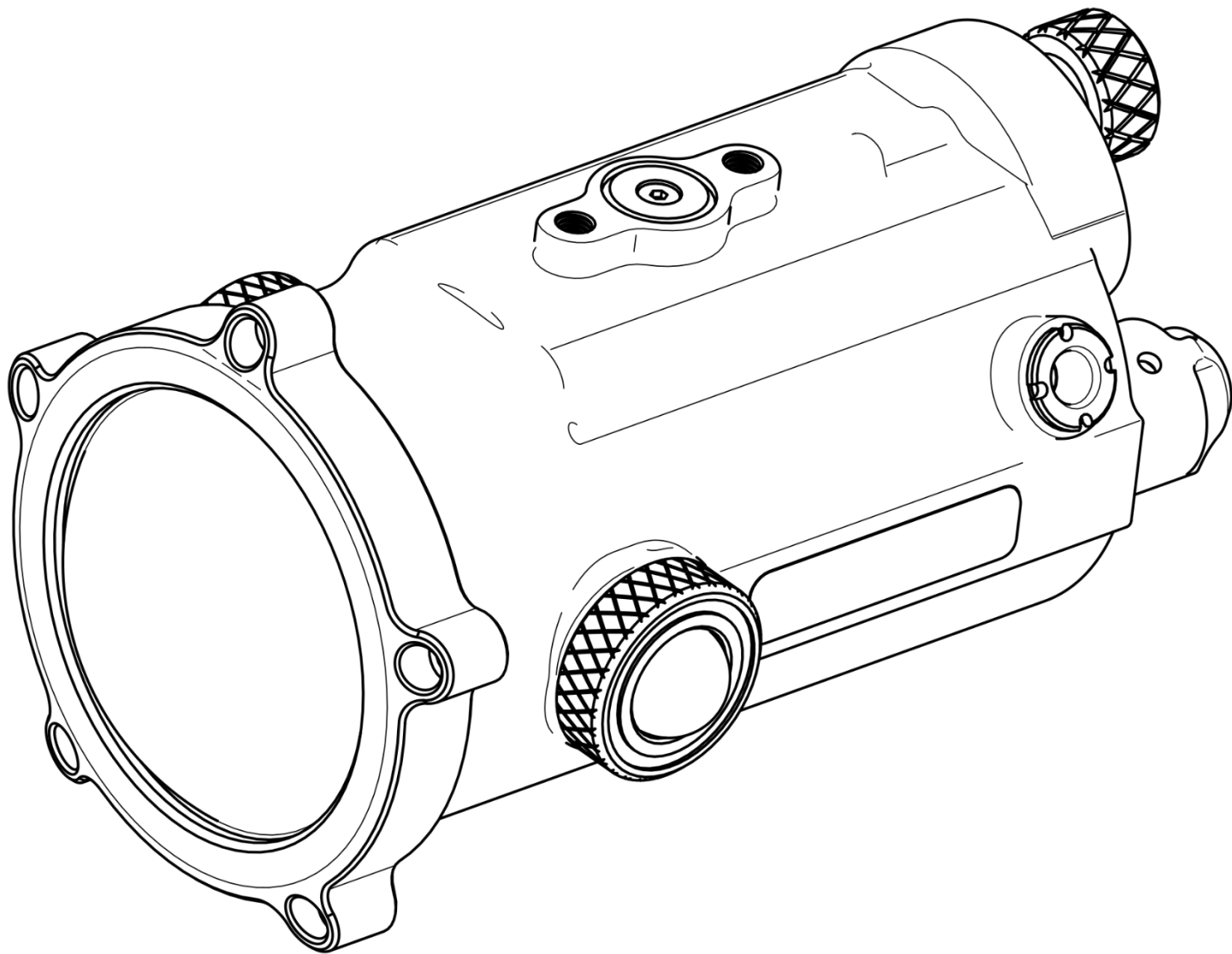


MARELUX

Apo I S S t r o b e

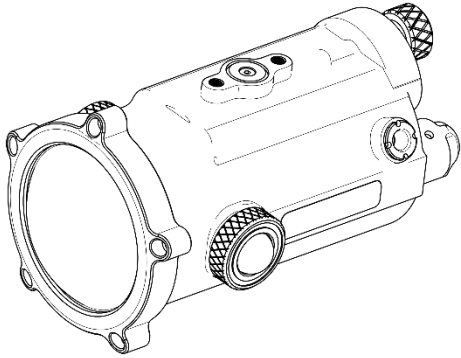


U s e M a n u a l

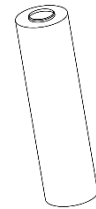
Please read this user manual carefully before using the product, and use the product properly to ensure your understanding of this user manual.

<https://www.marelux.com/>

Package Contents

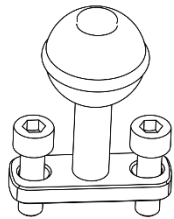


Apoptorobe

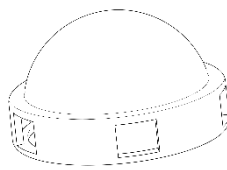


Battery

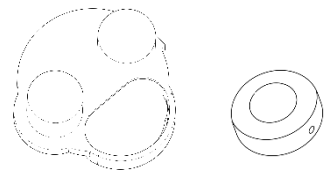
(Need purchase)



Mounting



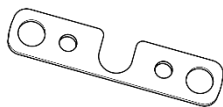
Dome Diff



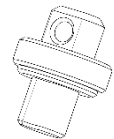
Protective



O-Ring



Lanyard sheet

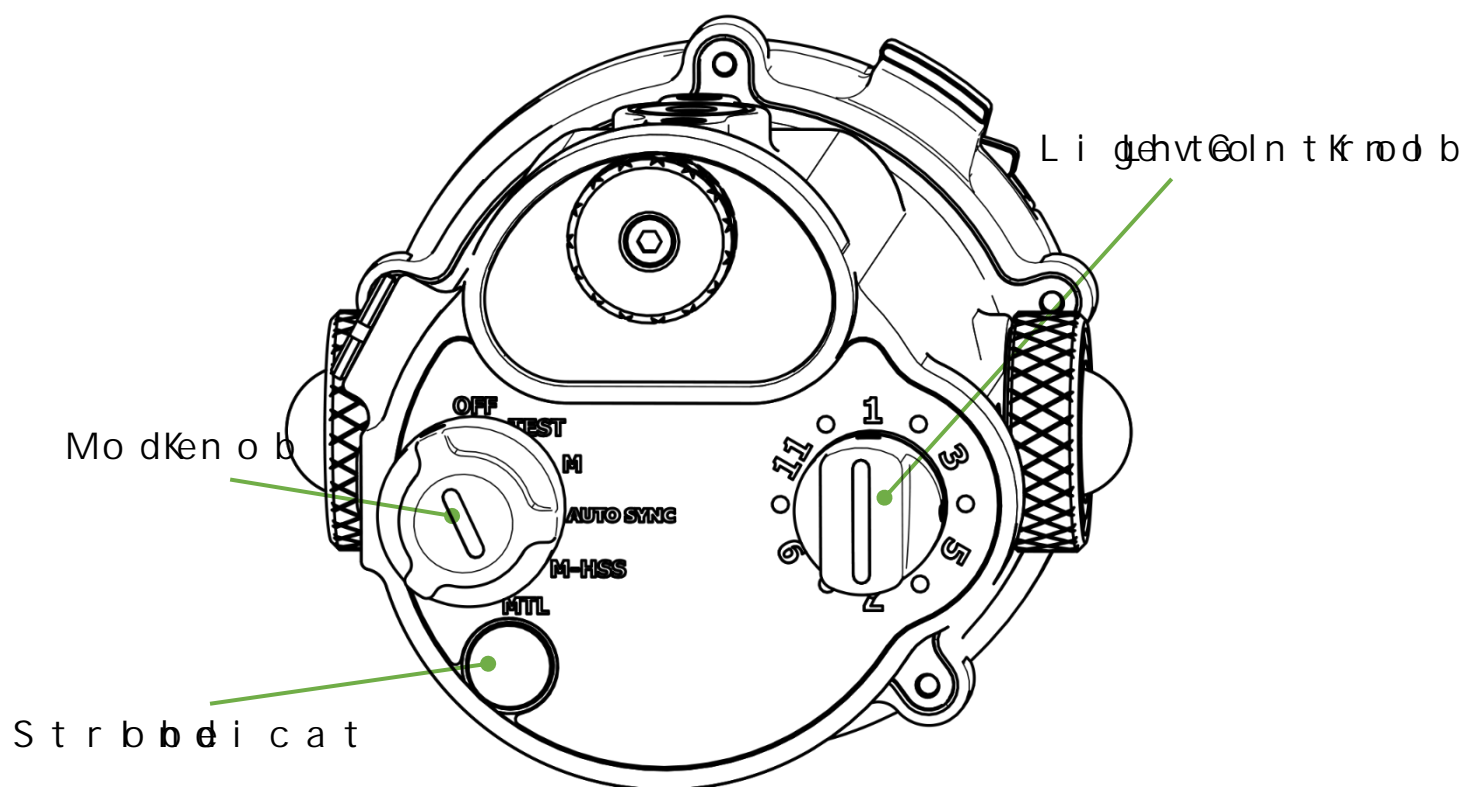
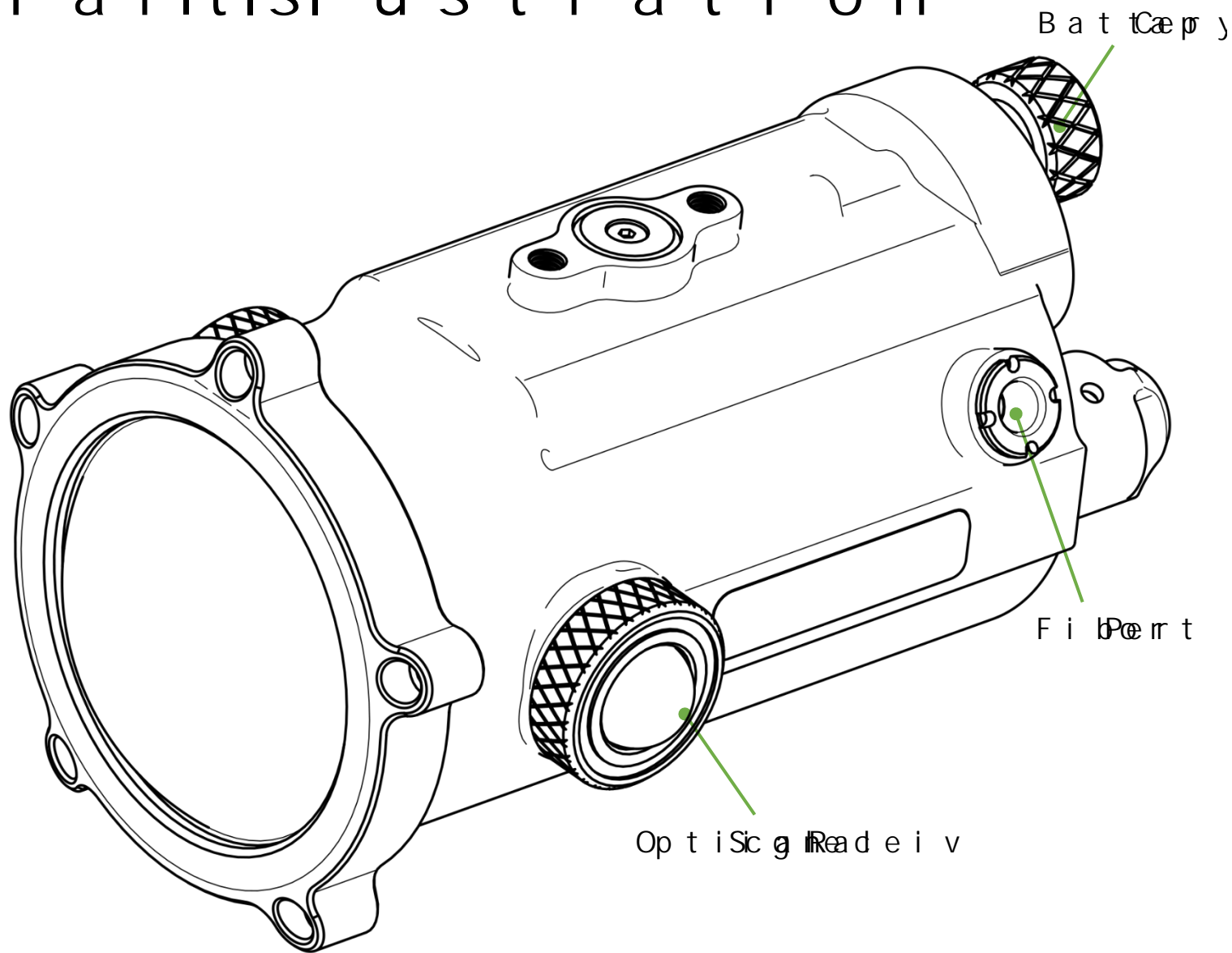


Fiber Plug

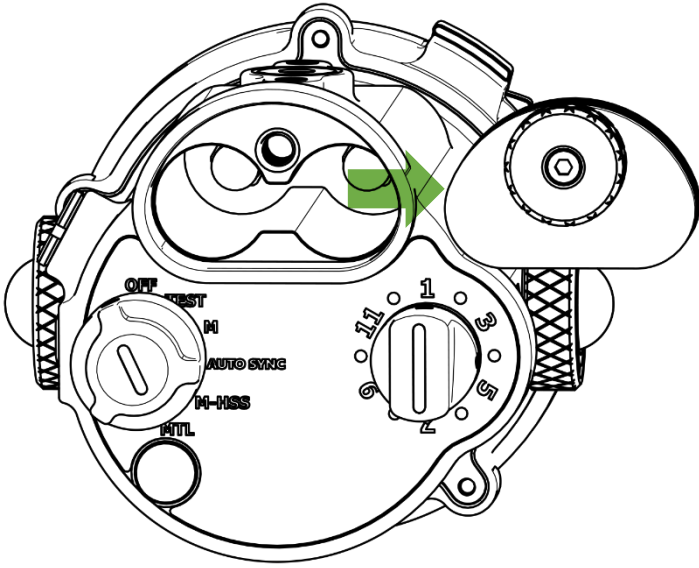
Product Features

1. Support TTL, RC, (HSS, MTL, HSS, trigger RC modes triggers to be used)
2. With a special designed MTL mode, support continuous shooting
3. With 2 fisheye wireless signal sensor units. trigger supports M, MTL, HSS. (TTL, RC needs fiber optic)
4. GN: ISO (100 to 3200)
5. Scatter angle (180°)
6. Temp 6200k
7. With diffuser, 40cáttēempg5500ke 1
8. Full power recycle time 0.9 second
9. Max diameter 70mm, length of main body 140mm
10. Weight 200g (without battery)
11. Weight 150g (including 2x18650 batteries)
12. Battery: 2x18650 lithium battery
13. Water proof battery chamber
14. Full power flash : around 800 times
15. Waterproof Depth : 100m
16. With The Lumilink 2.0 wireless transmitter, signal strength is 1000m. In shallow water and strong sunlight, it may be used in deep water and dim ambient light, the working distance is 1000m. The optical signal for triggering is 1000m.

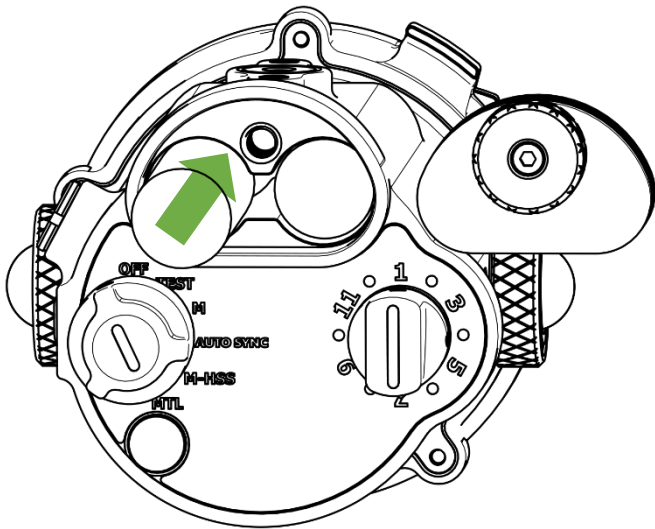
Part illustration



Battery Installation



When changing old battery, make sure the switch is in the OFF position. Remove the battery by rotating counter-clockwise.



Install 18650 lithium batteries with the polarity shown in the diagram. (Please do not use other 18650 lithium batteries with a capacity greater than 2000mAh. It cannot work with)

Operation

Mode

OFF Turns the Switchover mode knob to

[OFF] when the strobe is used.

TEST In this mode, you can test the working status of the strobe.

M Switch to M mode to maintain a certain

(Warning: M mode power is 100W, which may cause aging of the coating on the lens.)

Use M mode for high frequency shooting.

AUTO SYNC Switch to AUTO SYNC mode to shoot in

Auto Sync mode. (This mode requires a camera that supports

Auto Sync mode.)

-TTL AUTO

M-HS Switch to M-HS mode when shooting in

M-HS mode. (This mode requires a camera that supports

M-HS mode.)

M-TTL Switch to M-TTL mode when shooting in

M-TTL mode. (This mode requires a camera that supports

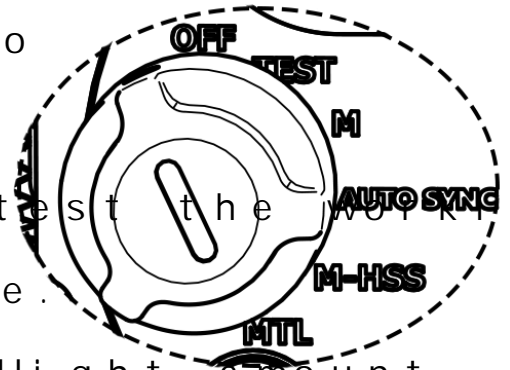
M-TTL mode.)

When shooting in continuous mode, the camera

supports a certain number of continuous shots.

The number of continuous shots supported

Light level	The number of continuous shots supported
1	
2	



3	10 / s
4	
5	
6	8 / s
7	6 / s
8	6 / s
9	5 / s
10	4 / s
11	4 / s
12	2 / s

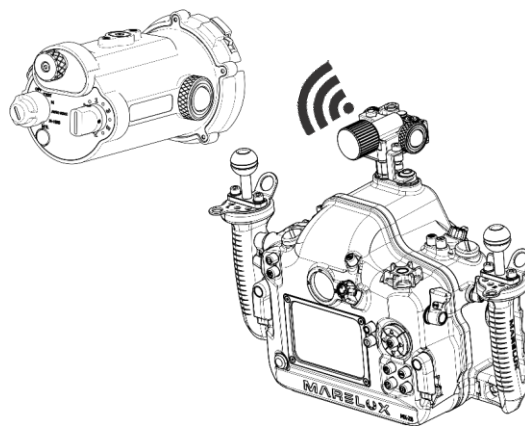
Do not use the MTL mode for continuous!

Wireless mode

To use the optical transmitter as a wireless transmitter, when the receiver is turned on, the wireless transmitter in modes other than MTL mode will be deactivated, hearing four "beeping" sounds (We wait 10 seconds support MTL mode).

Press and hold the 2 seconds, and after hearing wireless flash mode will be deactivated.

The reception distance of the transmitter is 100m, visibility and brightness of the transmitter, the optical signal will be received (range 100m).



Strobe Indicator Light

The emission color of the indicator light will change depending on the remaining battery level. Emission colors are shown in the table below.

Remaining Battery	Emission color
80-100%	Blue
60-80%	Green
40-60%	Yellow
20-40%	Purple
0-20%	Red

When the strobe indicator is in a high battery state while using the flash function to avoid damaging the camera lens, the strobe indicator will preheat for 10 seconds. During this time, the indicator light will remain red. Please wait for the preheat to complete.

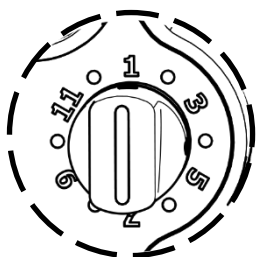
When the strobe indicator overheats, it will trigger an overheat protection. The strobe indicator will flash red, indicating that it is overheating. Please stop using the strobe indicator and allow it to cool down for a few minutes before using it again.

When the strobe indicator overheats, it will trigger an overheat protection. The strobe indicator will flash red, indicating that it is overheating. Please stop using the strobe indicator and allow it to cool down for a few minutes before using it again.

cooling for a few minutes before using it again.

Light Control Knob

Light amount can be adjusted in

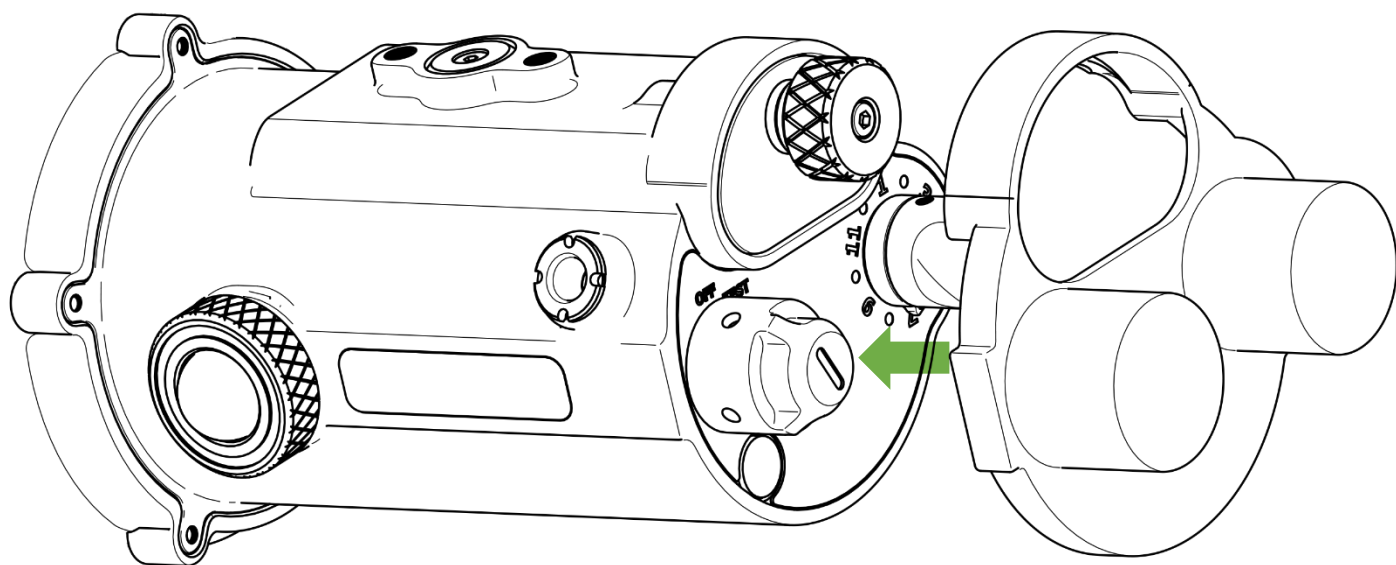


		M Mode									
Level	GN										

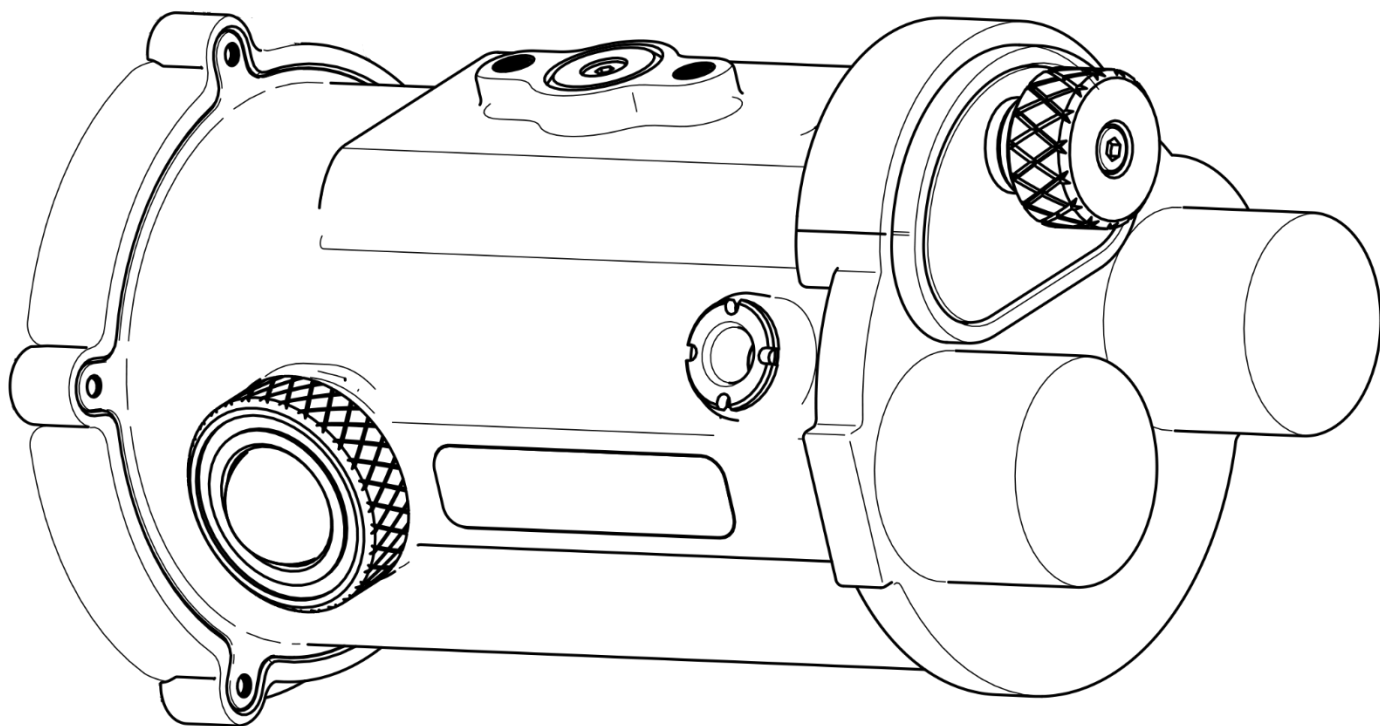
		MTL Mode									
Level	GN										

The lifespan of the tube is extended through the use of the light control knob. To achieve the longest possible lifespan, the tube is designed with redundant power, which prevents power flickering. At positions below the MTL mode, there will be minor variations in brightness.

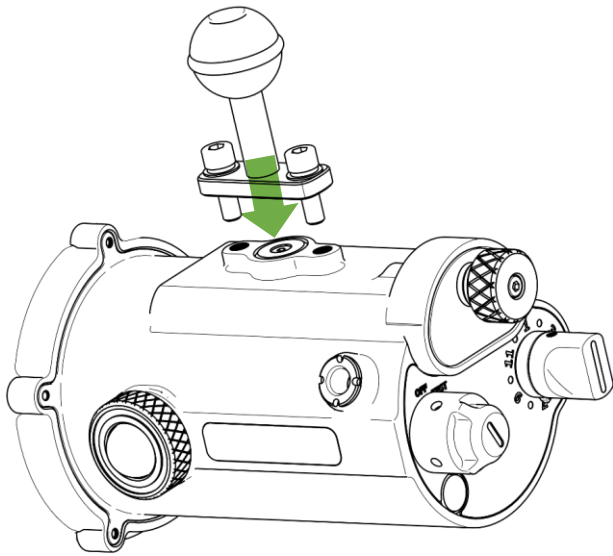
Protected view installation



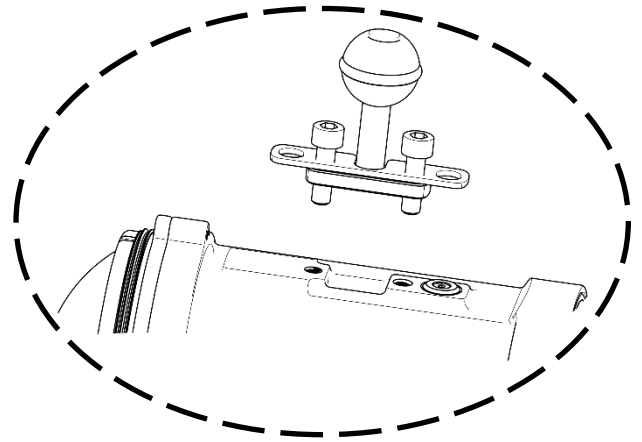
Align the protection as shown in the air guide



Mounting Bracket Installation

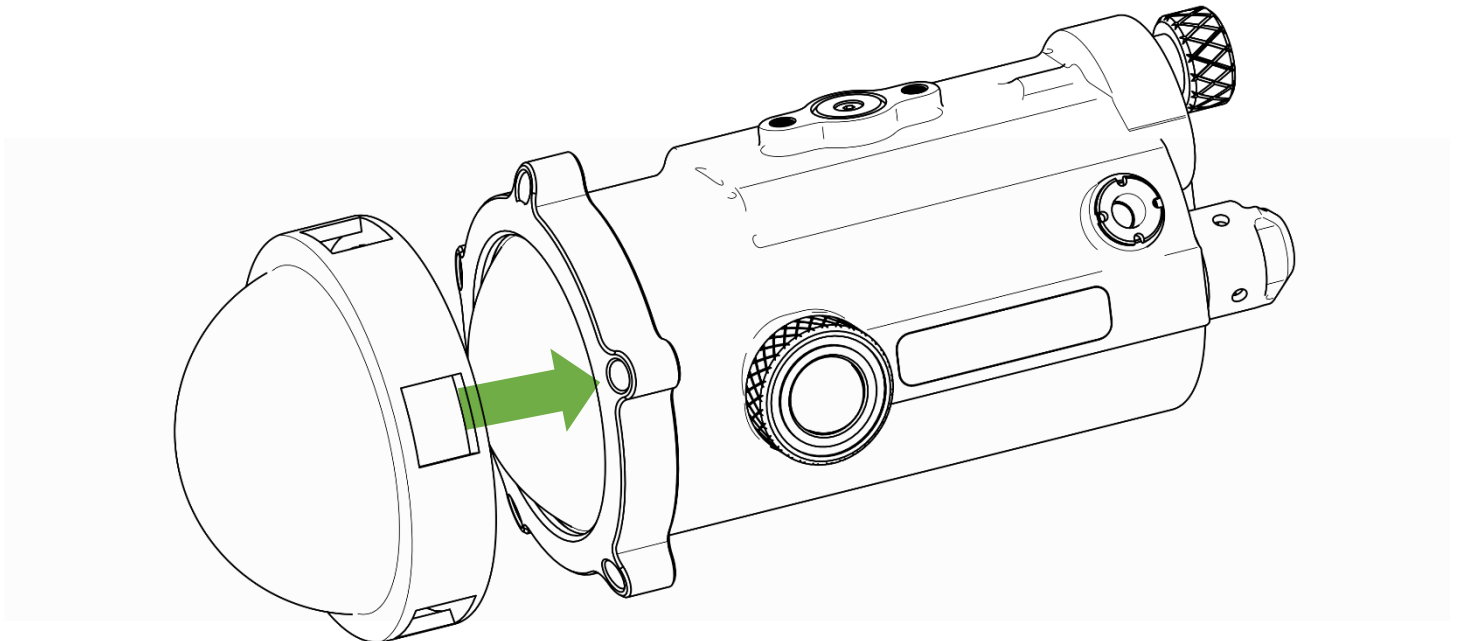


Install the mounting bracket by twisting the two screws directly into the holes shown in the diagram.



Install the mounting bracket by twisting the two screws into the holes shown in the diagram.

Dome Diffuser Installation



Align the holes of the diffuser with the hole in the top cover of the device. Push the diffuser onto the top cover until it is fully seated.

Maintenance And Storage

1. After diving, rinse the mask with fresh water.
2. When immersed with fresh water, sand goes out.
3. Use a soft cloth to wipe and clean the goggle.
4. After each dive, check the goggle for damage.
5. Use sturdy and safe accessories.
6. Don't leave the goggle too long inside the vehicle.
7. Please stop charging the goggle with environmental battery.
8. If it's not used for a long period, remove the battery.
9. This product is prohibited for use or play.

Light scattering and accessories install

Apollo S



1



2



3

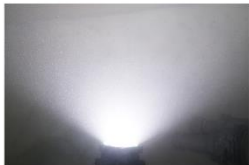


4



5

IN WATER



110°



140°



120°



85°



50°

2-Apollo S Dome Diffuser

3-Apollo S Diffuser

4-Apollo S Dock

5-Apollo External Hat Diffuser

Warranty

1. Marelux provides 2 years warranty for its home appliances (e.g. TV, monitor, HDMI cable), and 1 year warranty for electronic components (e.g. rubber and plastic).
2. Marelux will keep components and parts for 2 years after EOL of each model. Beyond that, we will provide repair service for those products.
3. Repair caused by following reasons will be covered by 2 years warranty.

Damage from misuse, incorrect maintenance, or use of non-specified accessories in this user manual.

Damage from falling or inappropriate packaging.

Damage caused by repair, maintenance, or any unauthorized modification; service center.

Product without authentic Marelux serial number or falsified serial number.

Damage caused by usage of non Marelux components from other makers or suppliers, such as Port, Extension Ring, Converter and etc.

Damage caused by misuse or mistreatment, or other situations of force majeure.

Malfunction or damage caused by erosion or use of non-Marelux accessories.

4. Batteries, lubricants and other consumables are not covered by warranty.
5. All parts and components replaced from warranty service should belong to Marelux.
6. Marelux is not responsible for and will not cover financial losses caused by using Marelux products. The users of Marelux products.

Warranty is only provided to products distributor or reseller.

Products purchased and used for rental Products will lose warranty immediately modification.

The warranty terms above are made for warranty repair or replacement restriction to any customers shall possess.

CE FC RoHS

Made in China