

◆ To charge the battery

1. To charge the battery with the USB cable.
2. The power can be able supplied by USB (5V Maximum 2A).
3. When the battery begins to charge the indicator light on the battery will be RED.
4. When the battery is fully charged the indicator on the battery will be BLUE.

◆ Battery level indicator

There are four colors to indicate the amount of power remaining in the battery and the function modes.

Blue approx. 100%~80%

Green approx. 80%~40%

Red approx. 40%~10%

Single Blinking Red approx. 10%~0%

Dual Blinking The current mode is Burst Mode

◆ Low battery warning

When the battery level is low (approximately 10 minutes remaining) the Ring light will automatically decrease the brightness of the light to conserve power. When the battery is empty, the light will power off.

◆ Thermal protection

When the inner temperature of Ring light becomes too high the Ring light will automatically decrease the brightness of the light.

◆ General maintenance

There are two O-rings in the tail cap. Use silicone to keep the O-rings well lubricated. It is important to lubricate the O-rings if the Ring light has not been used for a period of time, or if the O-ring is hard. Only use enough lubrication to make the O-ring shine, too much can attract dirt. If the O-ring is damaged, broken, or deformed it should be replaced with the spare included with your Ring light.

NOTE: Do not use a sharp tool to remove the O-ring.

◆ Warnings

1. Only use 21700 Lithium batteries provided by the manufacturer.
 2. Do not open the tail cap when the Ring light is in the water.
 3. If the Ring light will not be used for a long period of time the battery should be removed.
- Failure to comply with these warning may result in damage to the Ring light and will nullify the warranty.

◆ Warranty

Kraken provides a warranty against manufacturer defects for 1 year starting from the date of purchase. Manufacturer defects occurring within 15 days of the date of purchase will result in an exchange of product at the vendor. All other manufacturer defects occurring within 1 year of the date of purchase will be repaired at no cost. Proof of purchase is required for warranty support. The warranty does not cover failures or defects resulting from misuse (e.g., modification, damage) natural disasters, or battery issues, including incorrect battery installation.

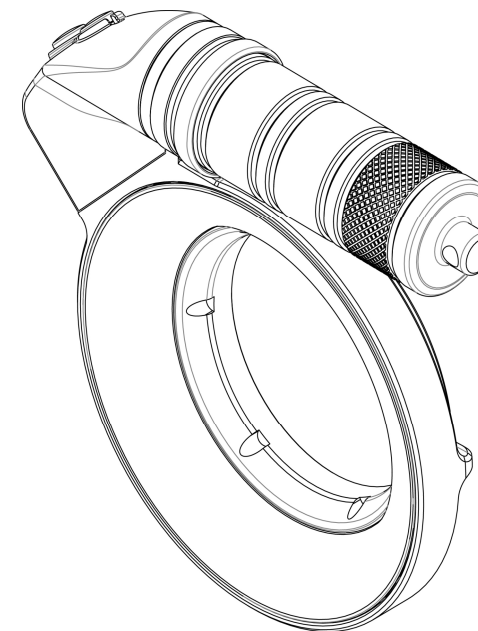
◆ Troubleshooting light issues

Before returning the light to the vendor, please troubleshoot by doing the following:

Problem	Possible Solution
The Ring light does not turn on	* Check the battery to make sure that it is inserted in the correct direction * Check the battery is charged * Check the tail cap is tight
Internal Leakage Wate	Check the O-Rings in the tail cap to make sure that they are not broken and that there is no debris which might prevent a proper seal



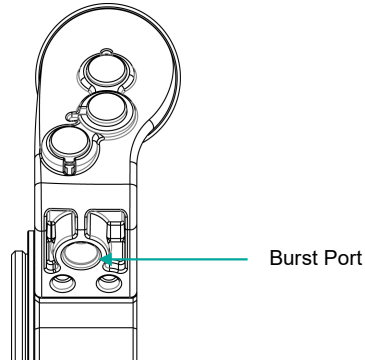
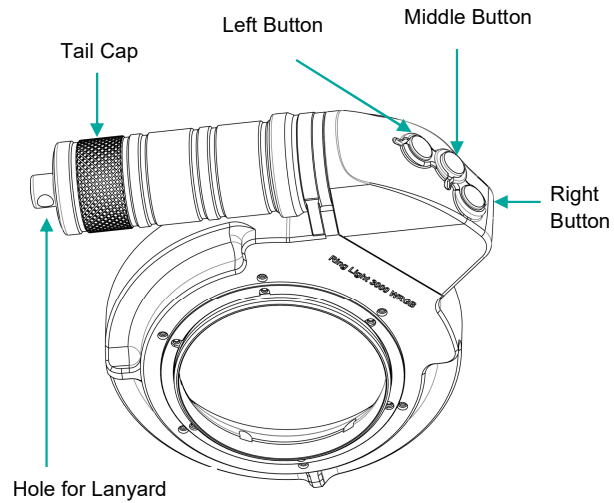
Ring Light 3000 WRGB



Please read the manually carefully before using the Ring Light

◆ Overview

The Ring Light 3000 WRGB is 2400 Lumens Constant / 3000 Lumens Burst.



◆ Accessories included

21700 Battery with Type-C
USB C cable
Spare O-rings x 2pcs
Lanyard
Soft Carry Bag
Manual

◆ Specifications

Battery	21700 Li-ion battery (5000mAh) Lithium Battery with Type-C USB Charging Port
Brightness	2400 Lumens Constant / 3000 Lumens Burst
Function Modes	White / Red / Green / Blue / Preset color / Automatic RGB / Burst
White Light	6 levels of white light (2 Channel x 3 Level)
Beam Angle	100 degrees on land/90 degrees underwater
Burn time	About 50 minutes
LED Life	Over 50,000 hours
Depth Rating	100m / 330ft
Size	140mm x 140mm x 36mm
Weight	330g on land including battery / 140g underwater including battery

◆ To operate the light

Turning the light ON:

Press the right and left buttons at the same time and hold down for **ONE** second to unlock the light, then immediately press and release the middle button to turn the light on. When the light is turned on it will be in the white light mode at 100% brightness.

Turning the light OFF: Press the right and left buttons at the same time and hold down for **TWO** seconds.

To switch modes (White / Red / Green / Blue / Preset color/Automatic RGB)

While the light is on, press and immediately release the ON/OFF (middle) button. The light will switch from White light → Red → Green → Blue → Preset color → White

When the light is on, press and immediately release the middle button three times to enter Automatic RGB mode. Press and immediately release middle button to exit Automatic RGB mode and save the current color to the preset color and return to continuous lighting.

Burst modes (White / Red / Green / Blue)

When the light is on, press and hold the left button for **ONE** second to enter burst mode at the same colour. Press and hold the left button once again to exit burst mode and return to continuous lighting.

Adjusting the brightness in White (Continuous and Burst Mode)

When the white light is on: Press and immediately release the left or right button to reduce or increase the brightness(100%-50%-25%-0%-100%).

Adjusting the brightness in Red / Green / Blue mode (Continuous and Burst Mode)

When the white light is on: Press and immediately release the left or right button to reduce or increase the brightness(100%-80%-60%-40%-20%).

Flashing signal mode (White):

When the light is on, press and hold the right mode for **ONE** second to enter flashing signal mode . Press and immediately release the right button to exit flashing signal mode.

Sleep mode:

We have also introduced sleep mode, which will let you temporarily and quickly turn the light off and back on to previous power level. To access sleep mode, when the light is on, press and hold the middle button for **TWO** seconds, the light will turn off. Press and hold the middle button again for **TWO** seconds to stop sleep mode and turn the light back on to the same power level as before.

◆ To install the battery

1. To charge the battery with the USB cable.
2. The power can be able supplied by USB (5V Maximum 2A).
3. When the battery begins to charge the indicator light on the battery will be RED.
4. When the battery is fully charged the indicator on the battery will be BLUE.